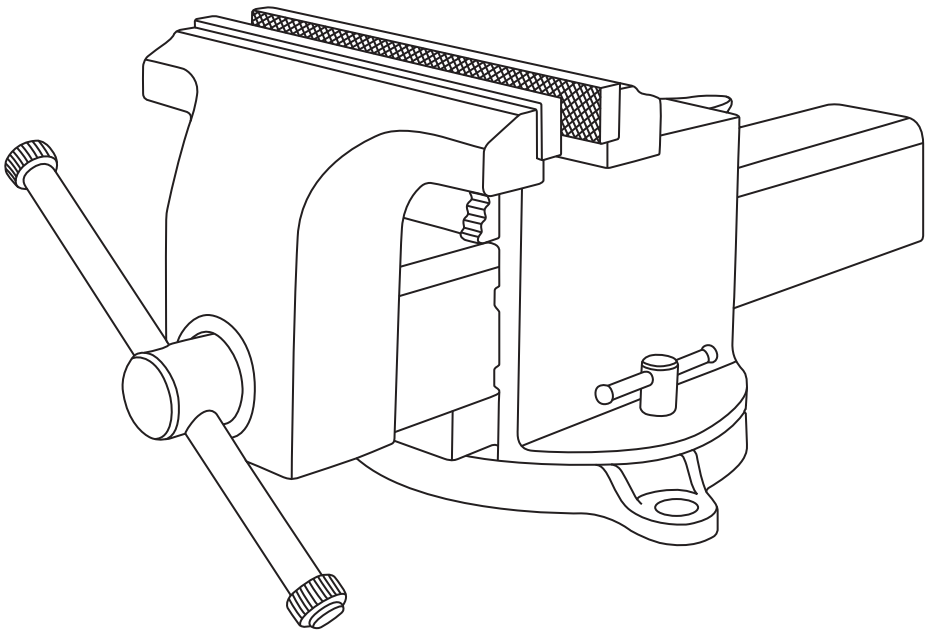


Model
5409

TEKTON®

SWIVEL BENCH VISE OPERATOR'S MANUAL

STORE THIS MANUAL IN A SAFE
PLACE FOR FUTURE REFERENCE



NEED HELP?

Save time, contact us first.

888-648-8665

support@tektontools.com



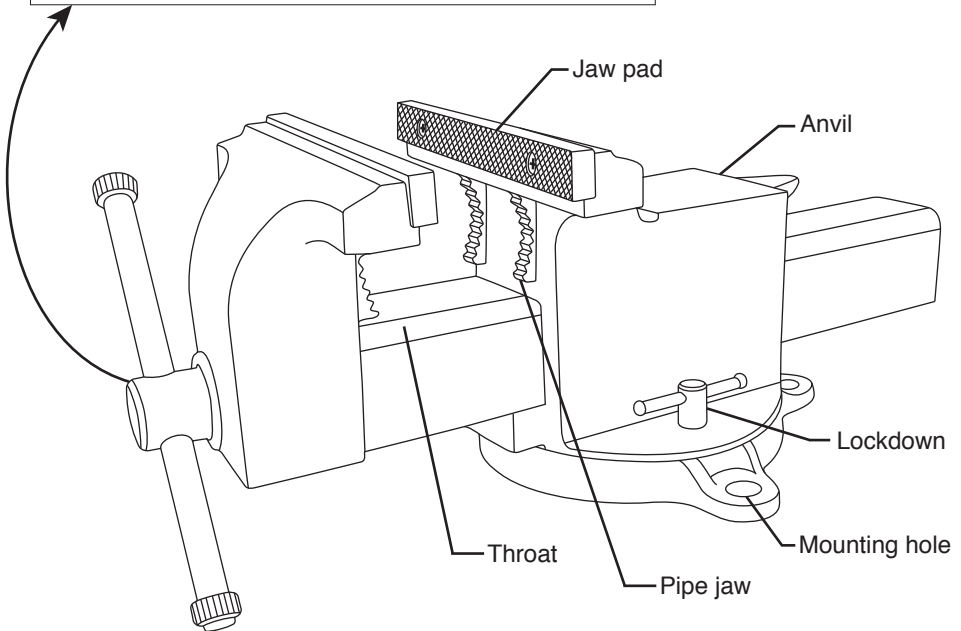
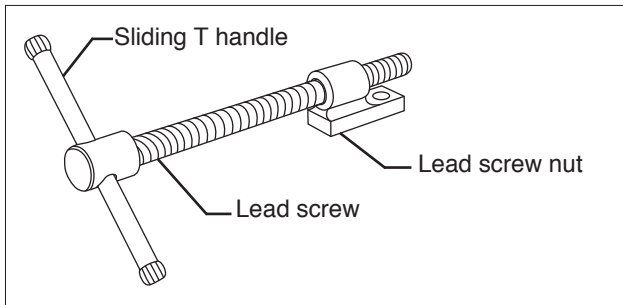
WARNING: WEAR
IMPACT-RESISTANT
PROTECTIVE
EYEWEAR IN WORK
AREA AT ALL TIMES.

VICE SPECIFICATIONS

#5409 - 8in. Swivel Bench Vice

Jaw width	8 in.
Jaw opening	6-3/8 in.
Throat depth	3-7/16 in.
Swivel	360°
Pipe jaw capacity	1-1/4 to 2-1/2 in.
Weight	40.2 lb.
Anvil size	3-3/4 in (square)
Mounting holes (3)	11/16 in. Ø

PART REFERENCE GUIDE

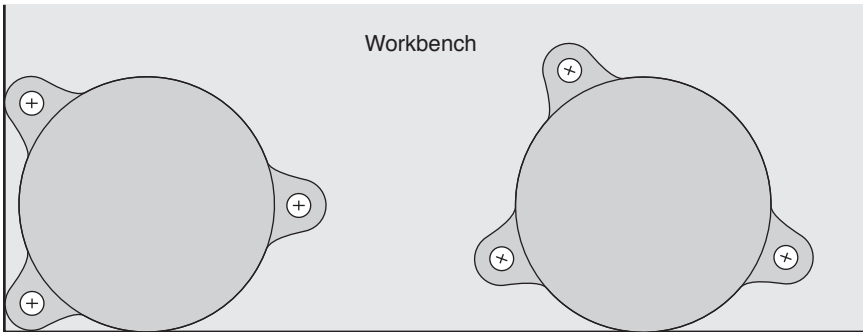


SETUP AND MAINTENANCE

- Keep machined surfaces and all moving parts clean and free of dirt, chips, and foreign materials.
- Use multipurpose grease to keep moving parts lubricated.
- Routinely apply mineral oil to machined surfaces to prevent surface rust.

MOUNTING VISE

1. Use included mounting template to identify desired vise mounting location. (Suggested placement shown in diagram below)
2. Mark and drill holes. Make certain the drilling path is clear of any hazards.
3. Install proper length and diameter bolts and flat washers through vise base. The bolts should protrude at least 1" below bench surface. On underside of bench surface use flat washers, lock washers, and locking nuts.* Securely tighten vise to workbench.



CORNER MOUNT

EDGE MOUNT



*Fasteners
not included

SAFETY INSTRUCTIONS



WARNING: Misuse of vise can cause serious injury. Vise must be installed and used properly. Follow all instructions below.

WHEN USING VISE

ALWAYS make sure the workbench top is secure.

ALWAYS use eye, face, and ear protection.

ALWAYS keep moving parts lubricated with multipurpose grease.

ALWAYS keep workpiece centered in jaws. Uneven clamping pressure across jaws could damage vise.

DO NOT overtighten jaws or lockdowns, damage to vise or workpiece could result. **TIGHTEN BY HAND ONLY.**

DO NOT unscrew jaw beyond maximum opening.

DO NOT place pressurized containers in vise.

DO NOT use extreme heat or prolonged heat on vise.

DO NOT strike any part of vise; permanent damage could result.

LIFETIME REPLACEMENT GUARANTEE

If this product does not meet your expectations, we will replace it or provide replacement parts free of charge. To arrange for shipping of your replacement product or parts, or if you have any other questions, email us at support@tektontools.com or call us at 1-888-648-8665.



Michigan Industrial Tools
3707 Roger B. Chaffee Dr.
Grand Rapids, MI 49548

© Copyright 2013
Michigan Industrial Tools
TEKTONTOOLS.COM